



Vaya Linear MP

BCP425 10x50 3000 L1210 CE

Vaya Linear MP is a reliable and cost-effective LED wall grazing luminaire for both interior and exterior use that minimizes initial investment, while offering exceptional flexibility to create eye-catching wall washing and wall grazing effects. A wide range of color and CCT options, in either static on/off or with dynamic color control, adjustable mounting brackets, wide or elliptical beam angles offer a comprehensive toolbox for your facade lighting needs. The discreet design with integrated power supply and waterproof connectors makes wiring simple, fast and reliable.

Product data

General Information	
Lamp family code	LED-HB [LED High Brightness]
Beam angle of light source	10 x 50 °
Light source color	Neutral white
Light source replaceable	No
Driver included	Yes
Optical cover/lens type	Clear glass
CE mark	CE mark
UL mark	-
CQC mark	-
Lifetime to 70% luminous flux	60000 h
PSE mark	PSE mark
Operating and Electrical	
Input Voltage	100 to 277 V
Input Frequency	50 to 60 Hz
Controls and Dimming	
Dimmable	Yes

Mechanical and Housing	
Housing Material	Aluminum extruded
Optic material	Glass
Optical cover/lens material	Tempered glass
Optical cover/lens shape	Flat
Optical cover/lens finish	Clear
Length	1210 mm
Color	Dark gray
Approval and Application	
Ingress protection code	IP66 [Dust penetration-protected, jet-proof]
Mech. impact protection code	IK06 [1 J]
Vibration Standard	Complies with ANSI C136.31
Vibration Rating	Complies with ANSI C136.31
Initial Performance (IEC Compliant)	
Initial luminous flux (system flux)	3169 lm
Initial LED luminaire efficacy	54.3 lm/W
Init. Corr. Color Temperature	3000 K

Vaya Linear MP

Init. Color Rendering Index	78
Initial input power	60 W

Over Time Performance (IEC Compliant)

Lumen Maintenance 70% at 25°C Calculated	100000
Lumen Maintenance 70% at 25°C Reported	60000
Lumen Maintenance 70% at 40°C Calculated	100000
Lumen Maintenance 70% at 40°C Reported	60000
Lumen Maintenance 80% at 25°C Reported	60000
Lumen Maintenance 80% at 40°C Calculated	100000
Lumen Maintenance 80% at 40°C Reported	60000
Lumen Maintenance 80% at 50°C Calculated	100000
Lumen Maintenance 90% at 25°C Calculated	62000
Lumen Maintenance 90% at 25°C Reported	60000
Lumen Maintenance 90% at 40°C Calculated	62000
Lumen Maintenance 90% at 40°C Reported	60000

Application Conditions

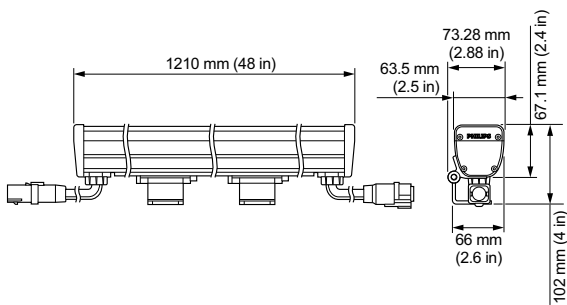
Ambient temperature range	-40 to +40 °C
---------------------------	---------------

Product Data

Full product code	871829162570499
Order product name	BCP425 10x50 3000 L1210 CE
EAN/UPC - Product	8718291625704
Order code	912400130120
Numerator - Quantity Per Pack	1
Numerator - Packs per outer box	4
Material Nr. (12NC)	912400130120
Net Weight (Piece)	3.760 kg



Dimensional drawing



Vaya

